

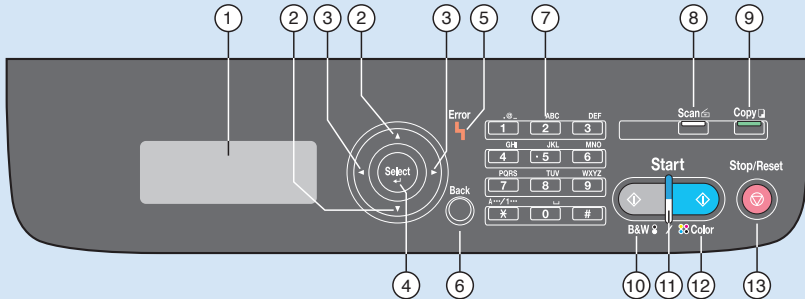


KONICA MINOLTA

# magicolor 1680MF

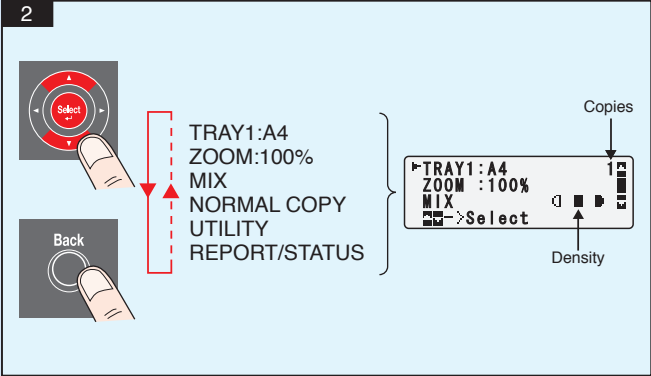
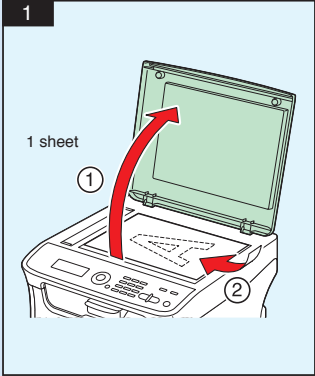
## Quick Guide

A0HF-9205-00

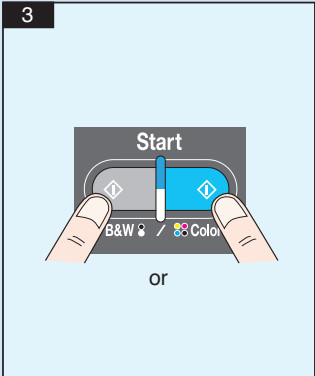


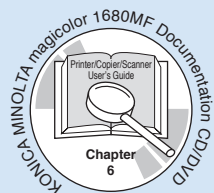
Item	Name	Function
1	<b>Message Window</b>	Displays settings, menus, and messages
2	<b>▲/▼ keys</b>	Moves up and down through menus, options, or choices
3	<b>◀/▶ keys</b>	Moves left and right through menus, options, or choices
4	<b>Select key</b>	Press to select the setting that is currently displayed
5	<b>Error indicator</b>	Indicates an error condition
6	<b>Back key</b>	Clears the specified number of copies and entered text Press to return to the previous screen Press to cancel the setting that is currently displayed
7	<b>Keypad</b>	Enters desired number of copies
8	<b>Scan key/LED</b>	Enters Scan mode (Scan to PC) Lights up in green to indicate that the machine is in Scan mode
9	<b>Copy key/LED</b>	Enters Copy mode Lights up in green to indicate that the machine is in Copy mode
10	<b>Start (B&amp;W) key</b>	Starts monochrome copying or scanning
11	<b>Start indicator</b>	Lights up in blue when copying is possible Lights up in orange when copying is not possible, for example, during warm-up or if an error has occurred
12	<b>Start (Color) key</b>	Starts color copying or scanning
13	<b>Stop/Reset key</b>	Returns the settings to their defaults and stops functions

# Copy

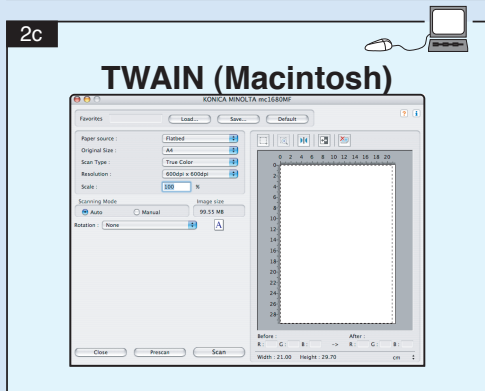
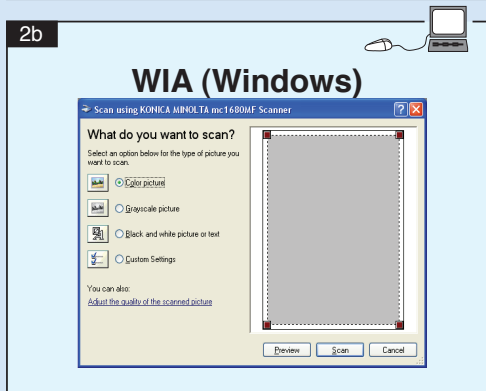
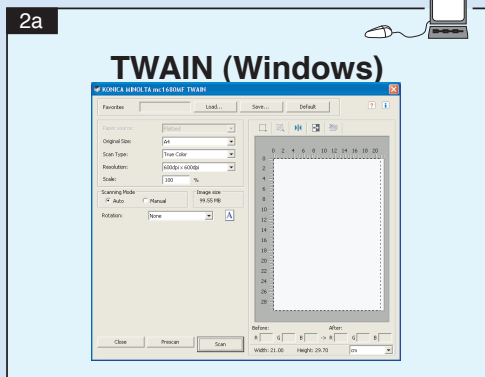
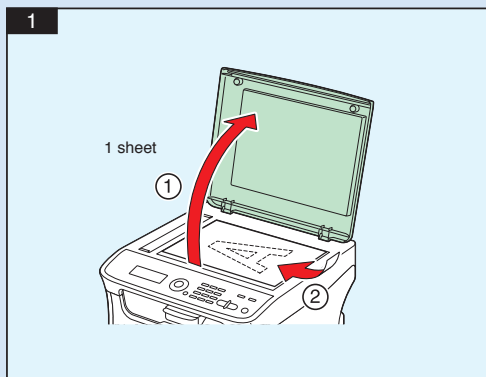


**Note** : Refer to the Printer/Copier/Scanner User's Guide (PDF manual on the CD/DVD) for details on copy functions.

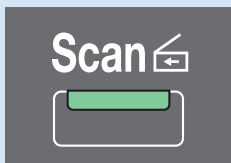
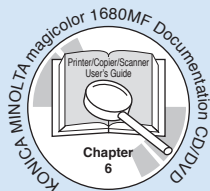




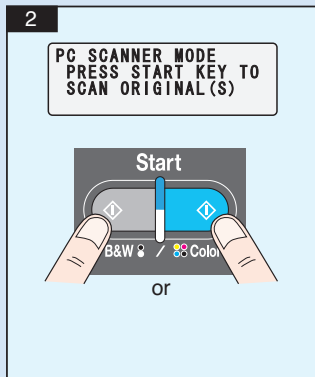
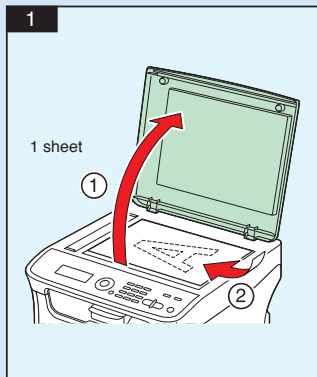
# Scan from TWAIN (Windows) Scan from WIA (Windows) Scan from TWAIN (Macintosh)



**Note :** Refer to the Printer/Copier/Scanner User's Guide (PDF manual on the CD/DVD) for details on how to use the scanner driver.



## Scan to PC

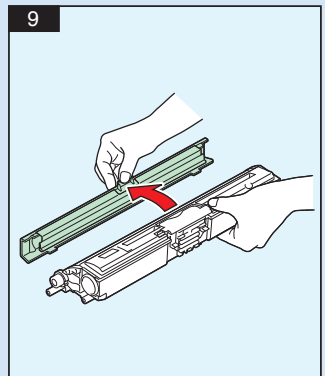
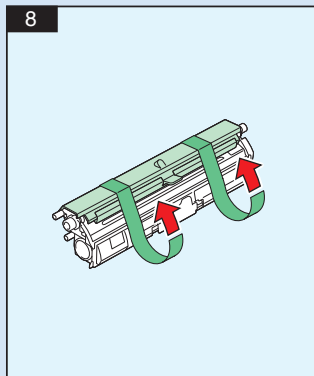
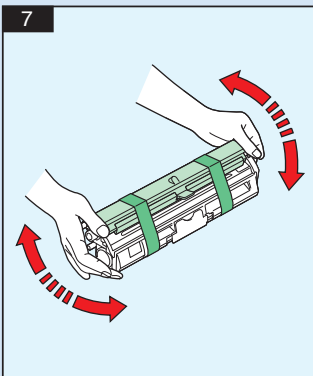
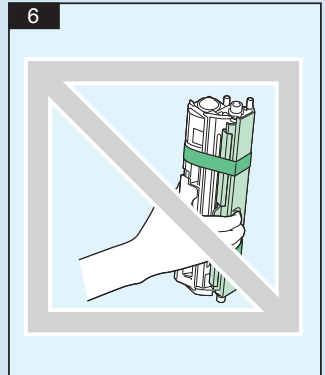
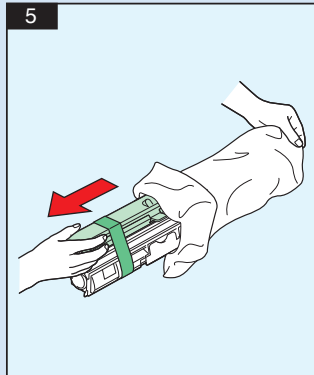
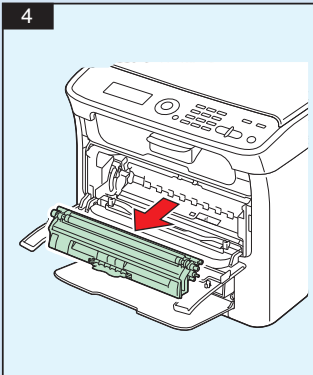
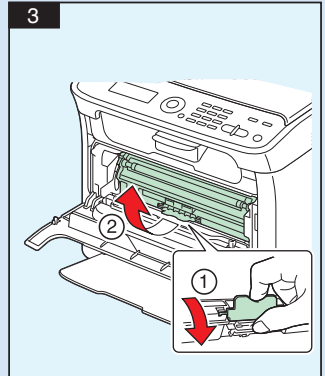
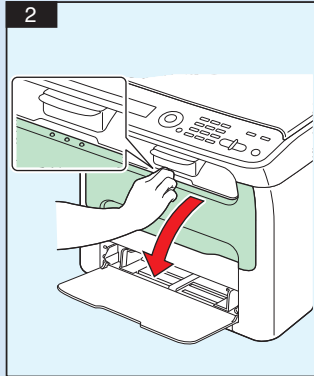
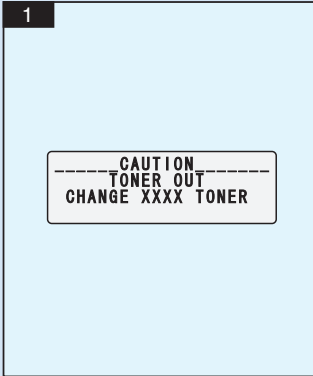


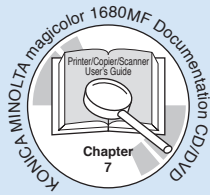
**Note :** The Scan-to-PC function can be used when the TWAIN Scanner driver, Printer driver, and KONICA MINOLTA LinkMagic (Windows only) are installed on your PC. Make sure that KONICA MINOLTA LinkMagic is started first.

Refer to Printer/Copier/Scanner User's Guide (PDF manual on the CD/DVD) for details on Scan to PC.

# REPLACING CONSUMABLES

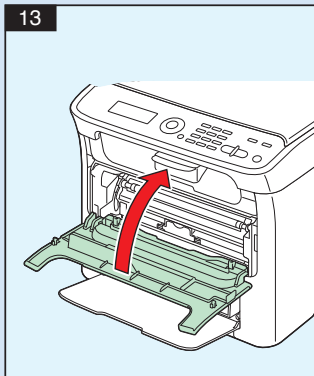
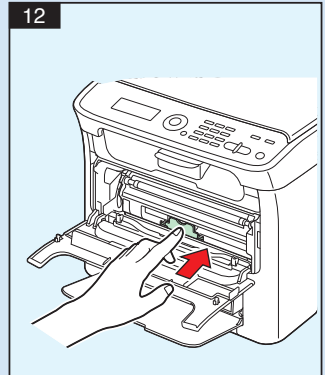
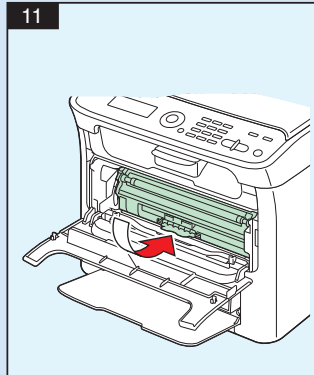
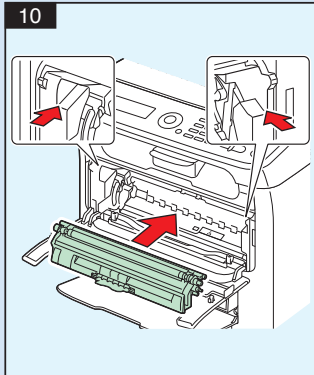
## TONER CARTRIDGE





# REPLACING CONSUMABLES

## TONER CARTRIDGE (cont.)



# REPLACING CONSUMABLES

## IMAGING CARTRIDGE

